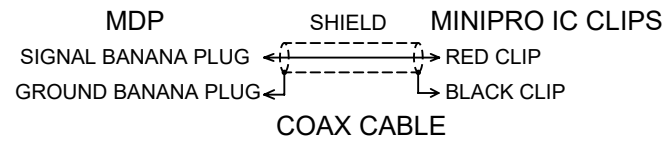
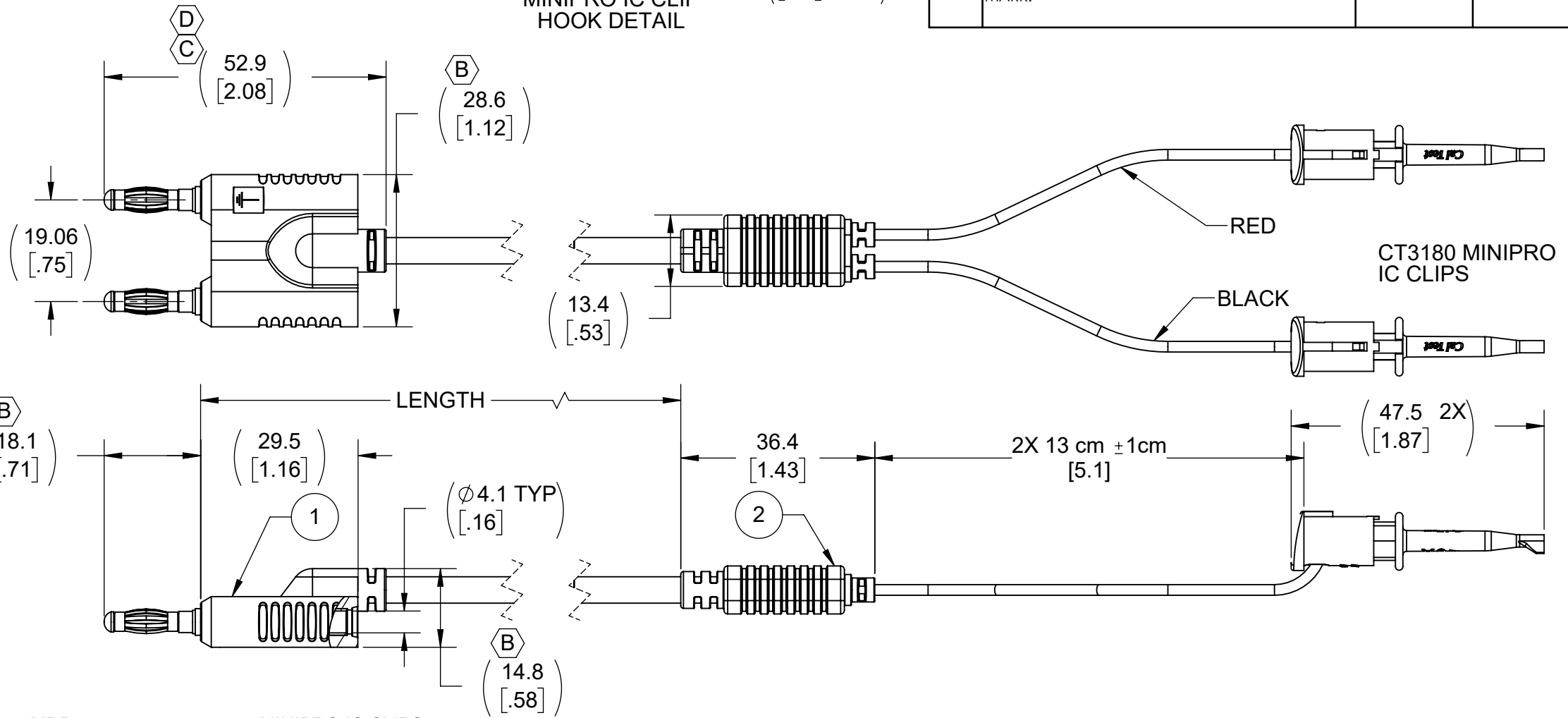
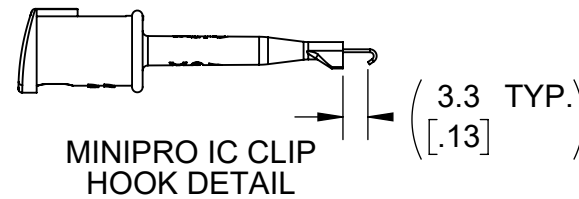


THIS IS ISSUED IN STRICT CONFIDENCE THAT IT IS NOT USED AS A BASIS FOR MANUFACTURE OR SALE AND THAT IT IS NOT COPIED, REPRINTED OR DISCLOSED TO A THIRD PARTY EITHER WHOLLY OR IN PART WITHOUT THE PRIOR WRITTEN CONSENT OF CAL TEST ELECTRONICS, INC.

NOTES:

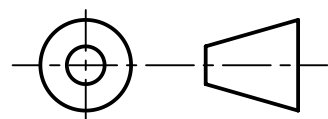
- ALL SPECIFICATIONS SUBJECT TO CHANGE WITHOUT NOTICE.
- MATERIAL:**
 - MDP CONNECTOR -
 - MOLDED BODY: POLYPROPYLENE (PP), BLACK.
 - 4mm BANANA PLUGS -
 - BODY: BRASS, NICKEL PLT.
 - CAGE CONTACT: BECU, NICKEL PLT.
 - RG58C/U COAX CABLE -
 - JACKET: PVC, BLACK; ϕ 4.95 O.D.
 - DIELECTRIC: PE
 - CENTER CONDUCTOR: 22 AWG (19X34) TINNED COPPER, STRANDED.
 - BREAKOUT: PVC, BLACK
 - MINIPRO IC CLIP -
 - BODY AND BARREL: NYLON (PA 6).
 - CONTACT: BECU, GOLD PLT.
- ELECTRICAL:**
 - IMPEDANCE:
 - ASSEMBLY: NON-CONSTANT
 - RG58C/U: 50 Ω
 - VOLTAGE -
 - 30 VRMS / 60 VDC (HANDHELD)
 - 500 VRMS (HANDS FREE)
 - DO NOT USE ON CIRCUITS SUBJECT TO TRANSIENT OVERVOLTAGES.
 - CURRENT: 3 A MAX.
- MECHANICAL:**
 - OPERATING TEMPERATURE: 0°C TO +50°C
 - CABLE BEND RADIUS:
 - REPEATED MIN. - 49.8 mm
 - ONE-TIME MIN. - 25 mm
- CE MARK:**
 - ROHS 2 COMPLIANT.



REVISIONS			
REV.	DESCRIPTION	DATE	APPROVED
A	INITIAL RELEASE	6/3/2021	
B	ITEM I UPDATED TO V4.3.	6/23/2021	
C	DRAWING UPDATED TO NEW B SIZE FORMAT; DWG. NO. WAS P445700; MDP BODY UPDATED TO V4.3.1	11/3/2021	B. HANSEN
D	DIM 52.9 WAS 52.6; NOTE 1, ADDED 22 AWG (19X34), DELETED ϕ 3.5; NOTE 3, VOLTAGE WAS 300 VRMS, ADDED CURRENT; NOTE 5, ADDED CE MARK.	6/8/2022	B. HANSEN

SCHEMATIC

THIRD ANGLE PROJECTION



CT4457-100	100 ± 1.5	-100
MODEL NUMBER	LENGTH & TOLERANCE (cm)	MODEL NUMBER -XXX EXTENSION
MODEL NUMBER TABLE		
UNLESS OTHERWISE SPECIFIED DIMENSIONS ARE IN MILLIMETERS TOLERANCES ARE: X.X = ±0.5 X.X* = ±0.5* X.XX = ±0.25 X.XXX = ±0.125 DO NOT SCALE DRAWING	PROJECT NO. A660(a)	METRIC 22820 Savi Ranch Prky. Yorba Linda, CA 92887 USA
MATERIAL SEE NOTES	APPROVALS DRAWN WDH CHECKER	TITLE CABLE ASSEMBLY, MDP TO MiniPRO IC TEST CLIP BREAKOUTS, RG58C/U
TREATMENT N/A	ENGR. B. HANSEN DESIGN ACTIVITY ENGINEERING	DATE 6/3/2021 6/3/2021
FINISH N/A	SCALE 1:1	SIZE B CAGE CODE 43F45 DWG. NO. CT4457 REV. D
		SHEET 1 OF 1

ITEM NO.	DESCRIPTION	QTY.
2	MOLDED BREAKOUT, 2mm PVC LEADS TO MINIPRO IC CLIPS	1
1	MOLDED ASSEMBLY, 4mm DOUBLE PLUG (MDP), RG58C/U CABLE	1