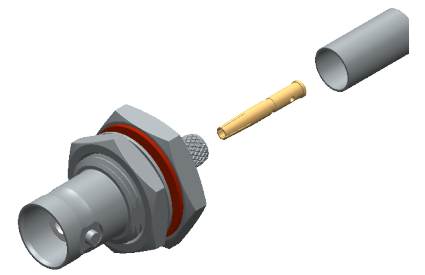
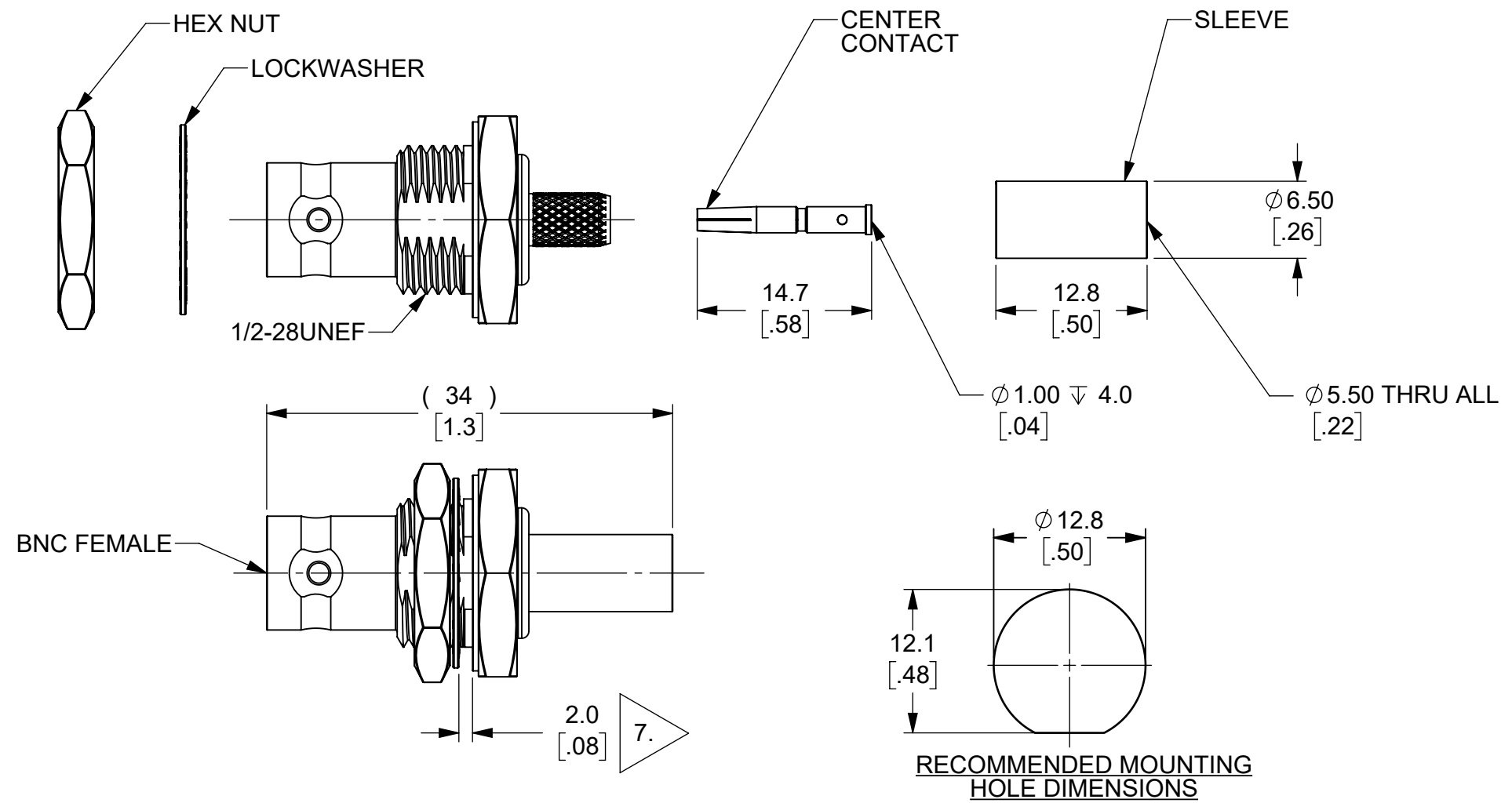


THIS IS ISSUED IN STRICT CONFIDENCE THAT IT IS NOT USED AS A BASIS FOR MANUFACTURE OR SALE AND THAT IT IS NOT COPIED, REPRINTED OR DISCLOSED TO A THIRD PARTY EITHER WHOLLY OR IN PART WITHOUT THE PRIOR WRITTEN CONSENT OF CAL TEST ELECTRONICS, INC.

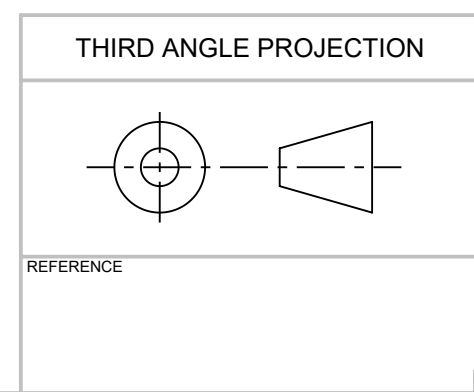
REVISIONS			
REV.	DESCRIPTION	DATE	APPROVED
A	INITIAL RELEASE	11/15/2023	B. Hansen

- NOTES:
- ALL SPECIFICATIONS SUBJECT TO CHANGE WITHOUT NOTICE.
  - ADAPTER TO MEET OR EXCEED ALL SPECIFICATIONS PER MIL-PRF-39012.
  - FREQUENCY RANGE SPECIFICATIONS ARE FOR REFERENCE AND ARE DEPENDENT ON CABLE TYPE AND OTHER APPLICATION SPECIFIC CONDITIONS.
  - MATERIAL:
    - BODY: BRASS, NICKEL PLATED
    - CENTER CONTACT: BRASS, GOLD PLATED
    - HEX NUT: BRASS, NICKEL PLATED
    - LOCKWASHER: BRASS, NICKEL PLATED
    - DIELECTRIC: DELRIN
  - ELECTRICAL:
    - IMPEDANCE: 50Ω
    - FREQUENCY: DC - 2 GHz
    - WORKING VOLTAGE: 500 Vrms
  - CABLE TYPE:
    - THE CT4511 IS INTENDED TO BE USED WITH THE FOLLOWING TYPES OF CABLE:
      - RG-58
  - MAXIMUM PANEL THICKNESS: 2.0 mm
  - ASSEMBLY INSTRUCTIONS ON SHEET 2 OF 2.
  - MECHANICAL:
    - TEMPERATURE RANGE: -20°C TO +80°C
  - RoHS AND REACH COMPLIANT



ISOMETRIC VIEW  
FULL SCALE

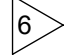
CT4511	BULKHEAD MOUNT, CRIMP	IN-SERIES CONNECTOR
MODEL NUMBER	CONFIGURATION	NOTES / REFERENCE

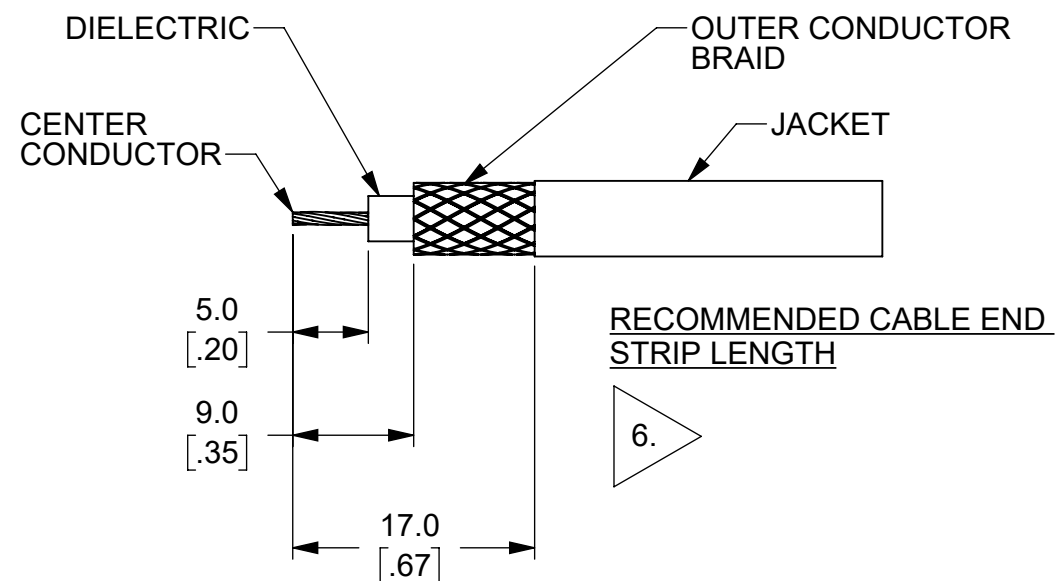
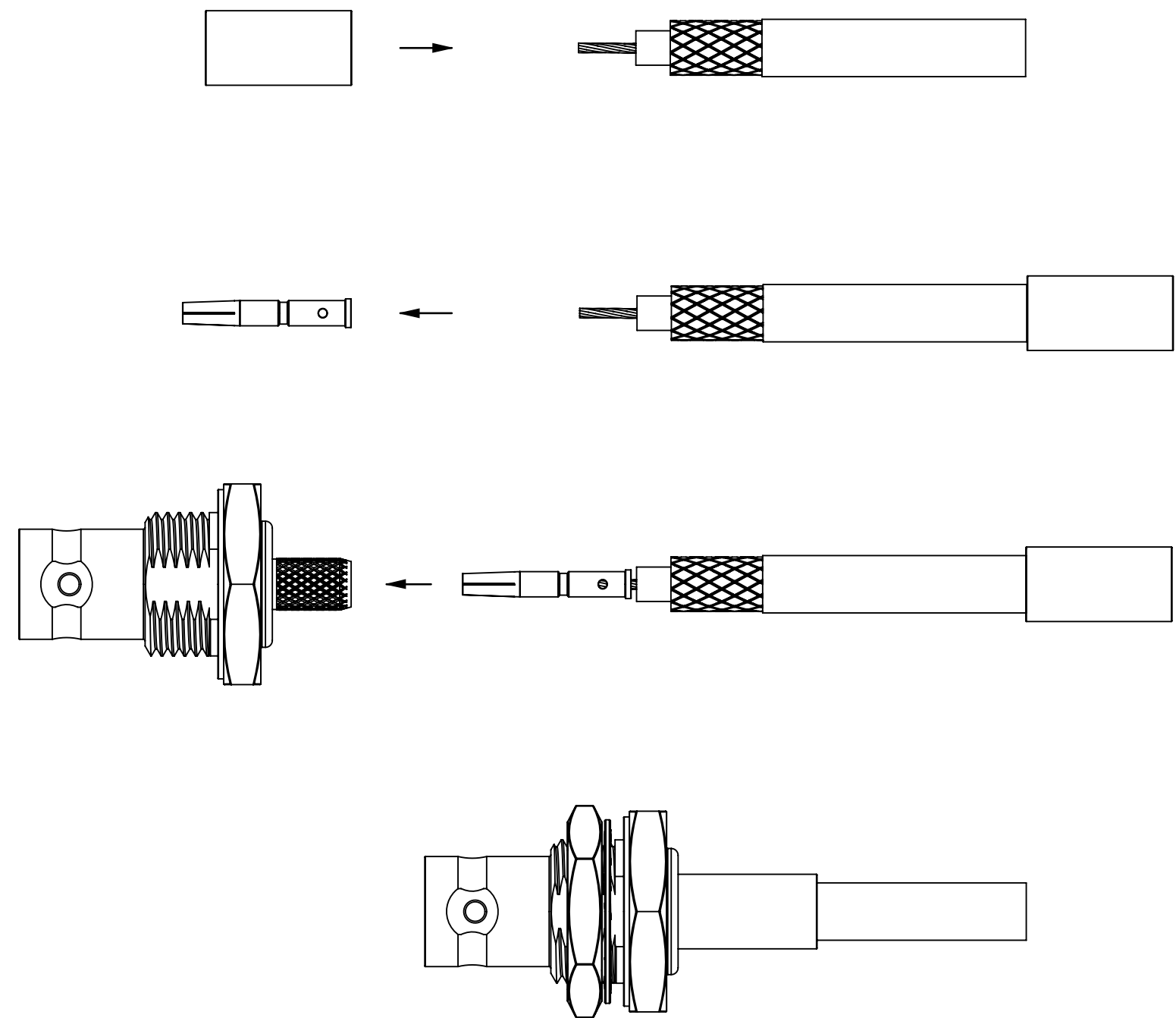


UNLESS OTHERWISE SPECIFIED DIMENSIONS ARE IN MILLIMETERS TOLERANCES ARE: X.X = ±0.5 X.X* = ±0.5* X.XX = ±0.25 X.XXX = ±0.125 DO NOT SCALE DRAWING		PROJECT NO.
MATERIAL SEE NOTES	APPROVALS	DATE
TREATMENT NONE	DRAWN GSG	11/13/2023
FINISH SEE NOTES	CHECKER B. HANSEN	11/13/2023
	ENGR. B. HANSEN	11/2/2023
	DESIGN ACTIVITY	

<b>METRIC</b>		<b>Cal Test</b> ELECTRONICS		22820 Savi Ranch Prky. Yorba Linda, CA 92887 USA	
TITLE <b>CONNECTOR, BNC FEMALE, BULKHEAD MOUNT DIY</b>					
SIZE <b>B</b>	CAGE CODE <b>43F45</b>	DWG. NO. <b>CT4511</b>	REV. <b>A</b>		
SCALE 2:1				SHEET 1 OF 2	

THIS IS ISSUED IN STRICT CONFIDENCE  
 THAT IT IS NOT USED AS A BASIS FOR  
 MANUFACTURE OR SALE AND THAT IT IS  
 NOT COPIED, REPRINTED OR  
 DISCLOSED TO A THIRD PARTY EITHER  
 WHOLLY OR IN PART WITHOUT THE  
 PRIOR WRITTEN CONSENT OF CAL TEST  
 ELECTRONICS, INC.

- D
- ASSEMBLY INSTRUCTIONS:
1. SLIDE CRIMP SLEEVE ONTO CABLE JACKET
  2. STRIP COAXIAL CABLE END 
  3. INSERT CENTER CONDUCTOR INTO CONTACT HOLE DIAMETER
  4. SOLDER CONTACT TO CENTER CONDUCTOR FOR BETTER PERFORMANCE
  5. FLARE THE OUTER CONDUCTOR BRAID
  6. INSERT CONTACT PIN FIRMLY INTO THE BNC CONNECTOR UNTIL IT SNAPS INTO POSITION
  7. ENSURE THE OUTER CONDUCTOR BRAID SEATS PROPERLY AND UNIFORMLY AROUND THE OUTER SURFACE OF THE BNC CRIMP POST
  8. SLIDE SLEEVE OVER BRAID AND POST
  9. CRIMP SLEEVE TO THE BNC CRIMP POST USING THE APPROPRIATE CRIMPING TOOL
- C



<b>METRIC</b>	APPROVALS	DATE	SIZE	CAGE CODE	DWG. NO.	REV.
	DRAWN GSG	11/13/2023	<b>B</b>	<b>43F45</b>	CT4511	<b>A</b>
	CHECKER B. HANSEN	11/13/2023	SCALE 2:1	SHEET 2 OF 2		